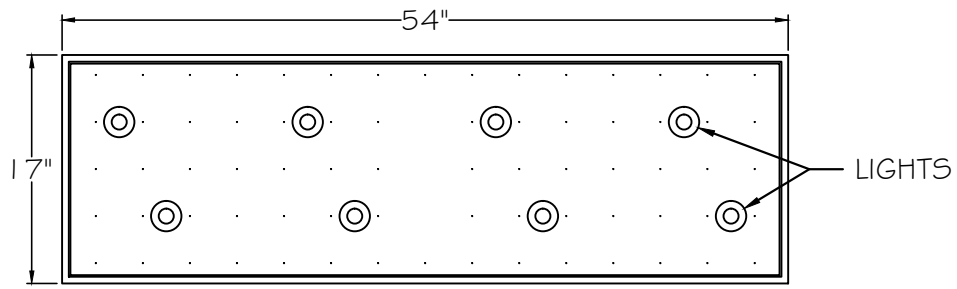
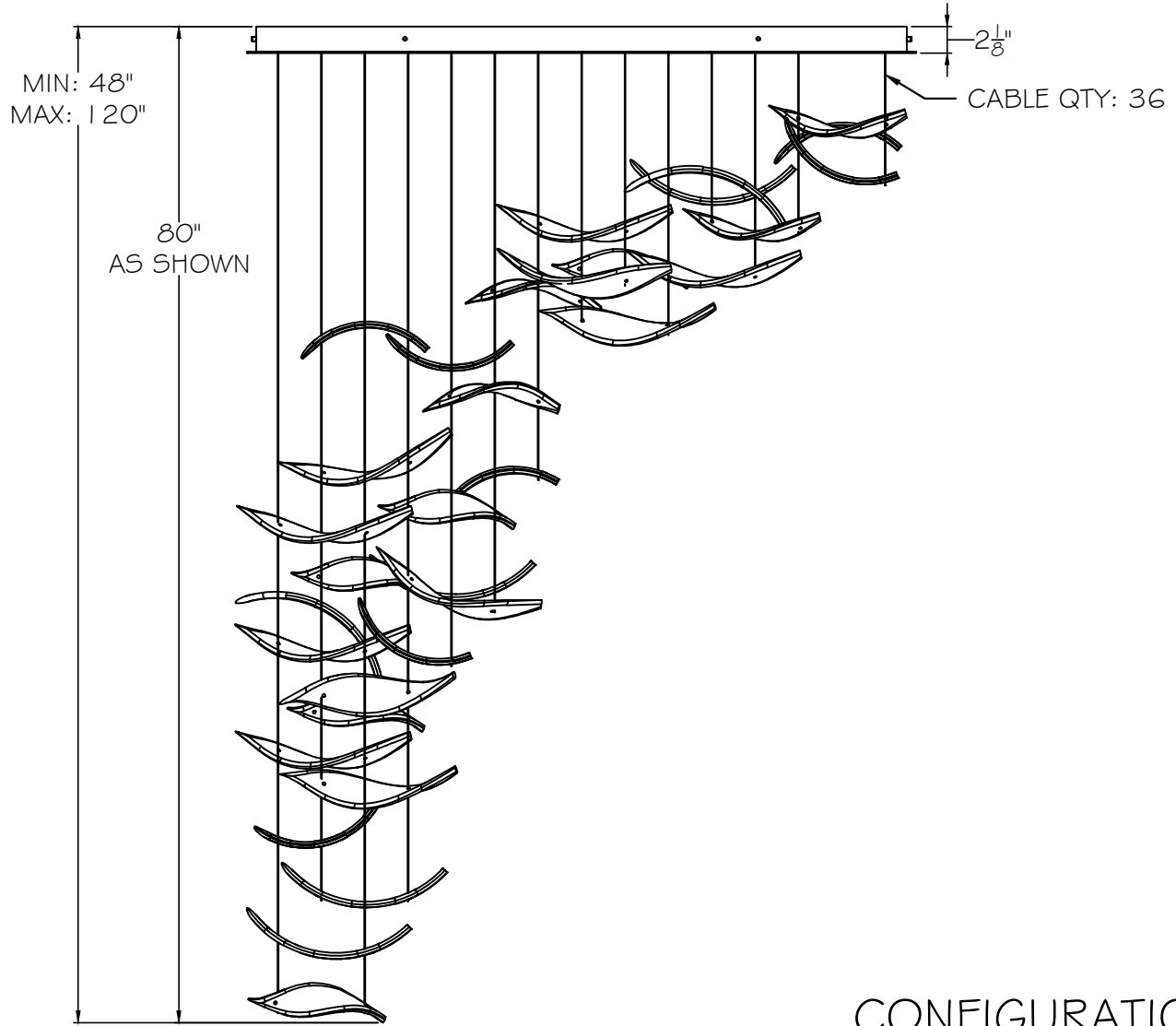


CUSTOMER REFERENCE DRAWING



TOP VIEW



FRONT VIEW

CONFIGURATION 1
SHEET 1 OF 2

THUMBNAIL IMAGES OF STYLE OPTIONS:

-111 SILVER
-211 GOLD



GLASS PLUME WITH DICHRO (X32)

-121 SILVER
-221 GOLD



GLASS PLUME NO DICHRO (X32)

-131 SILVER
-231 GOLD



GLASS SPIRE CLEAR (X32)

-141 SILVER
-241 GOLD



GLASS SPIRE BLACK (X32)



This drawing, specifications and the product depicted are the exclusive property of Fine Art Handcrafted Lighting®. In compliance with US copyright and patent requirements, notice is hereby given that this document and the product depicted shall not be copied, altered or used in any manner without the expressed written consent of Fine Art Handcrafted Lighting®.

www.finearthl.com

Tel:(305) 821-3850
FINE ART LAMPS®

Fax:(305) 513-5736

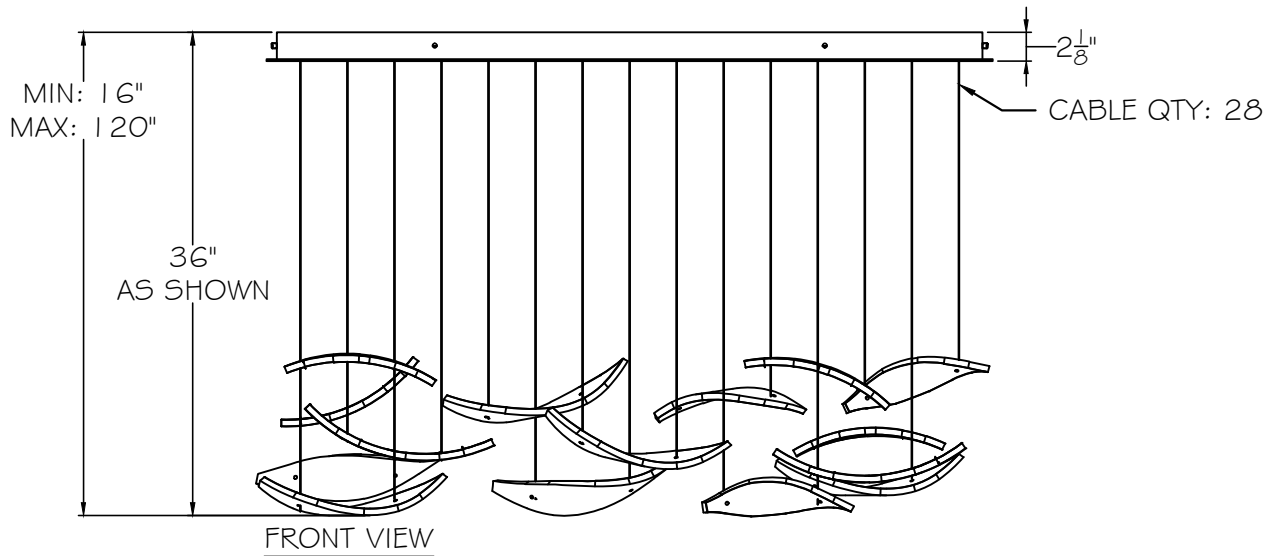
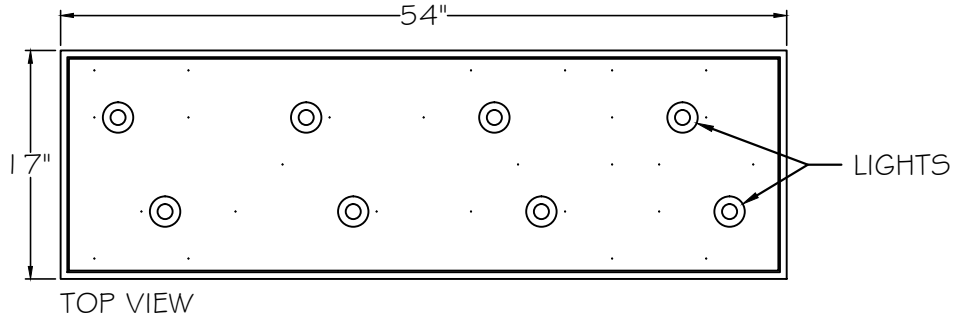
STYLE NUMBER:

894840

DATE:

4/17/2020

CUSTOMER REFERENCE DRAWING



CONFIGURATION 2
SHEET 2 OF 2

THUMBNAIL IMAGES OF STYLE OPTIONS:

-112 SILVER
-212 GOLD



GLASS PLUME WITH DICHO (X15)

-122 SILVER
-222 GOLD



GLASS PLUME NO DICHO (X15)

-132 SILVER
-232 GOLD



GLASS SPIRE CLEAR (X20)

-142 SILVER
-242 GOLD



GLASS SPIRE BLACK (X20)



This drawing, specifications and the product depicted are the exclusive property of Fine Art Handcrafted Lighting®. In compliance with US copyright and patent requirements, notice is hereby given that this document and the product depicted shall not be copied, altered or used in any manner without the expressed written consent of Fine Art Handcrafted Lighting®.

www.finearthl.com

Tel:(305) 821-3850
FINE ART LAMPS®

Fax:(305) 513-5736

STYLE NUMBER:

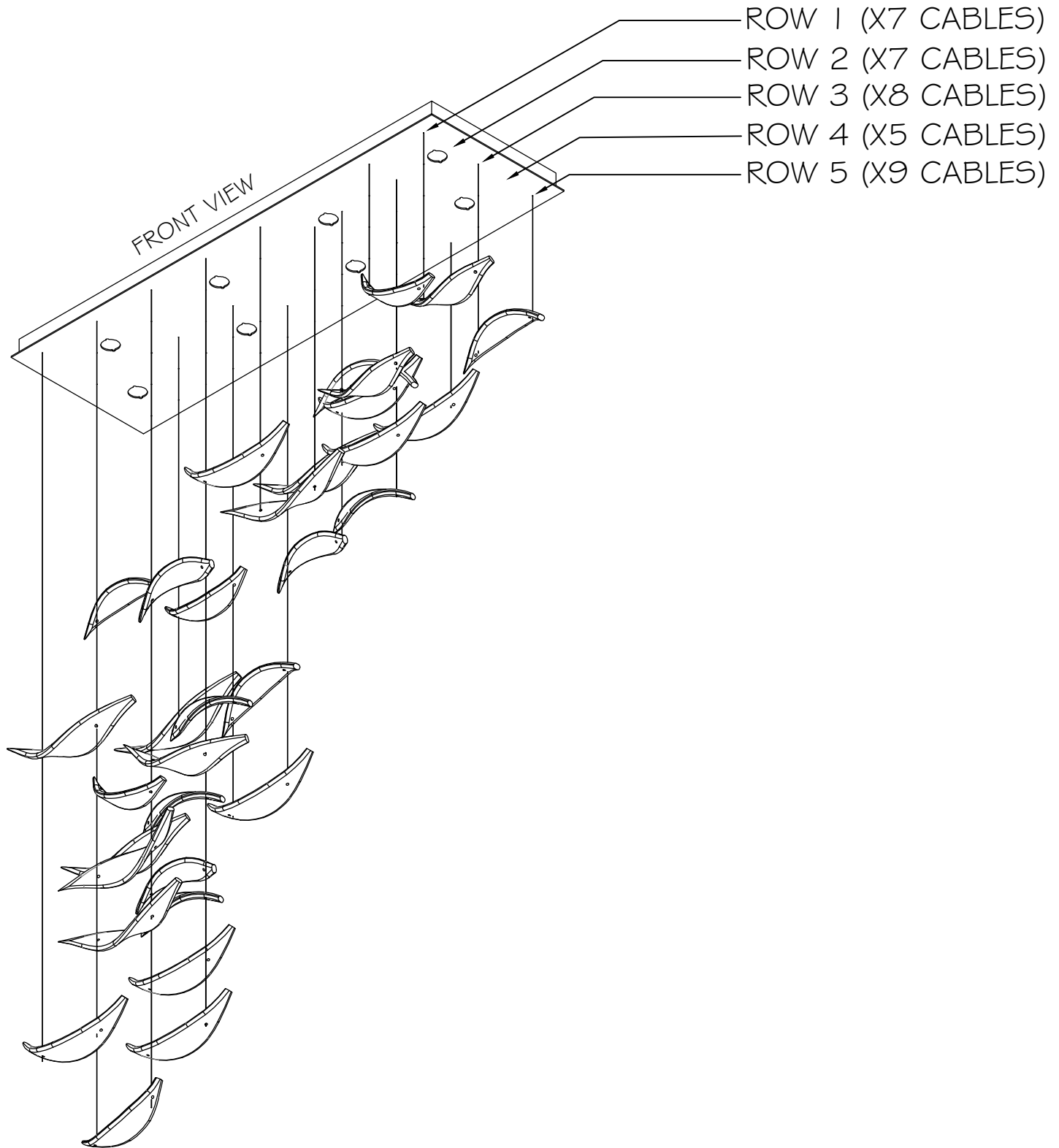
894840

DATE:

4/17/2020

INSTRUCTION

NOTE: ORIENTATION OF CANOPY IS CRITICAL TO GLASS DROP DESIGN



STYLE(S) #: 894840-111 -211 -121 -221

**FINE
ART
LAMPS®**
EST. 1940

This drawing, specifications and the product depicted are the exclusive property of FINE ART LAMPS®. In compliance with US copyright and patent requirements, notice is hereby given that this document and the product depicted shall not be copied, altered or used in any manner without the expressed written consent of FINE ART LAMPS®.
www.fineartlamps.com

Tel:(305) 821-3850 Fax:(305) 821-1564

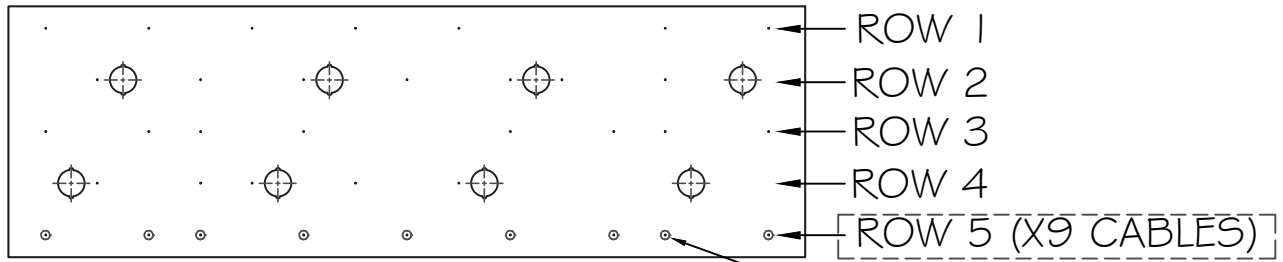
INSTRUCTION #:

00791404

SHEET

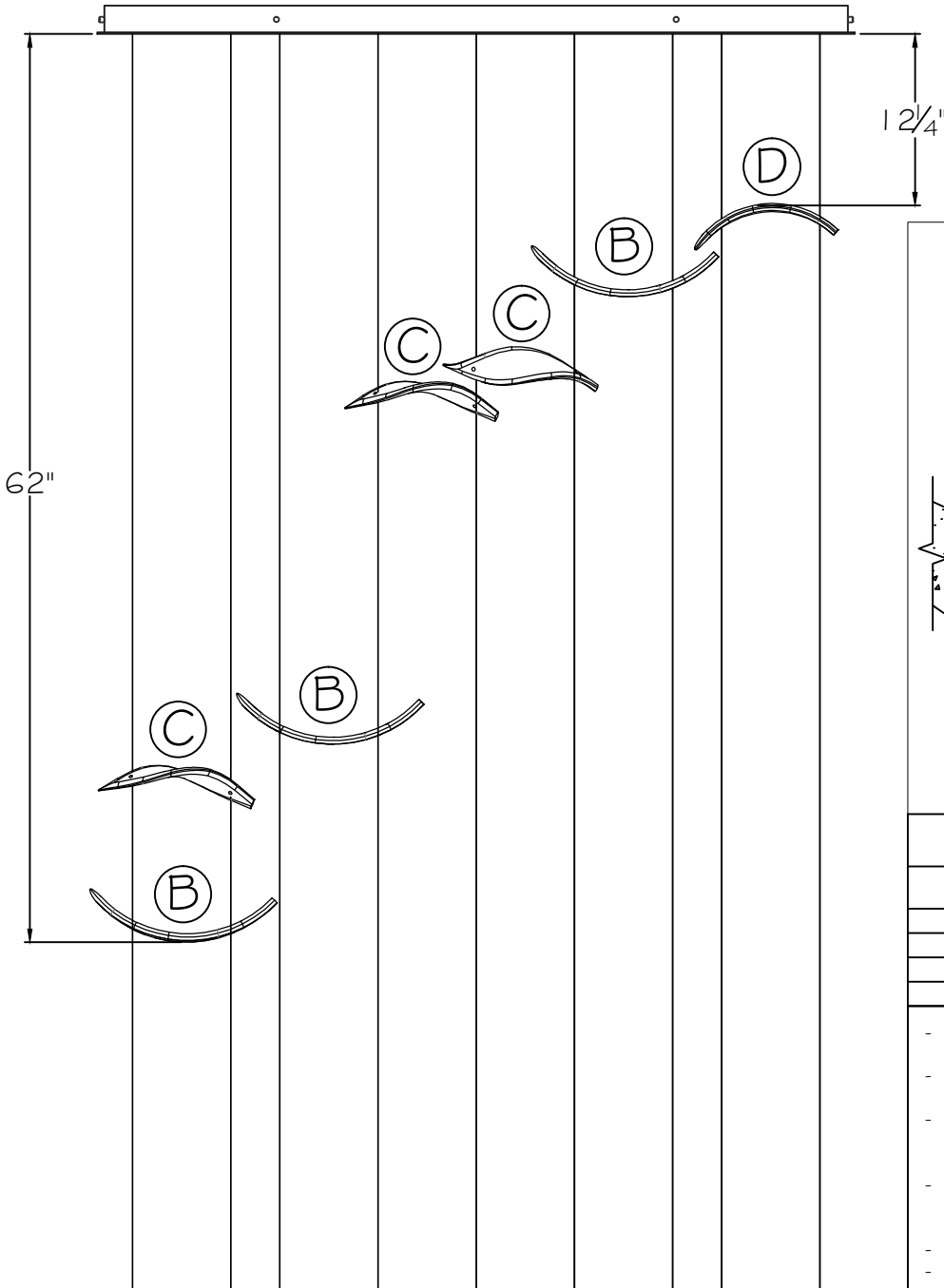
6 / 6

GLASS INSTALLATION INSTRUCTION

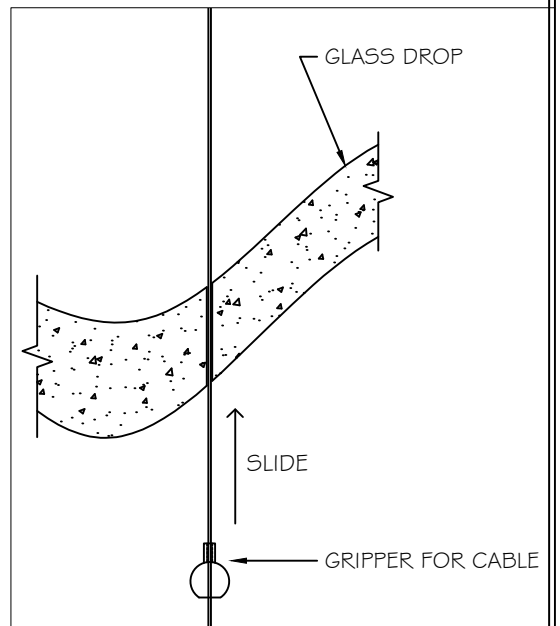


BOTTOM VIEW OF CANOPY

LARGER CIRCLES
SHOW CABLE LOCATIONS



FRONT VIEW OF LAYER 5 GLASSES



ROW 5

| GLASS TYPE | QUANTITY |
|------------|----------|
| TYPE A | 0 |
| TYPE B | 3 |
| TYPE C | 3 |
| TYPE D | 1 |

- FIRST ROW OF GLASSES TO BE INSTALLED IS ROW 5.
- GATHER ALL OTHER CABLES TO THE SIDE TO EASILY ACCESS LAYER TO BE WORKED ON
- LETTERS IN CIRCLES ON DIAGRAM INDICATE GLASS TYPE THAT CORRESPONDS TO STICKERS ON GLASS
- START SLIDING GLASSES UP INTO POSITION AS SHOWN ON FRONT VIEW, STARTING FROM TOP TO BOTTOM
- SLIDE GRIPPER UP TO HOLD POSITION OF GLASS
- NOTE: MULTIPLE GLASSES MAY USE THE SAME CABLES

STYLE(S) #: 894840-111 -211 -121 -221



This drawing, specifications and the product depicted are the exclusive property of FINE ART LAMPS®. In compliance with US copyright and patent requirements, notice is hereby given that this document and the product depicted shall not be copied, altered or used in any manner without the expressed written consent of FINE ART LAMPS®.

www.fineartlamps.com

Tel:(305) 821-3850 Fax:(305) 821-1564

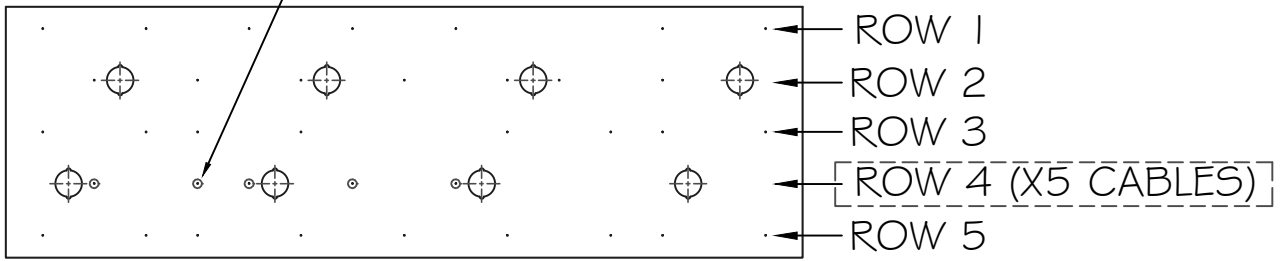
INSTRUCTION #:

00791404

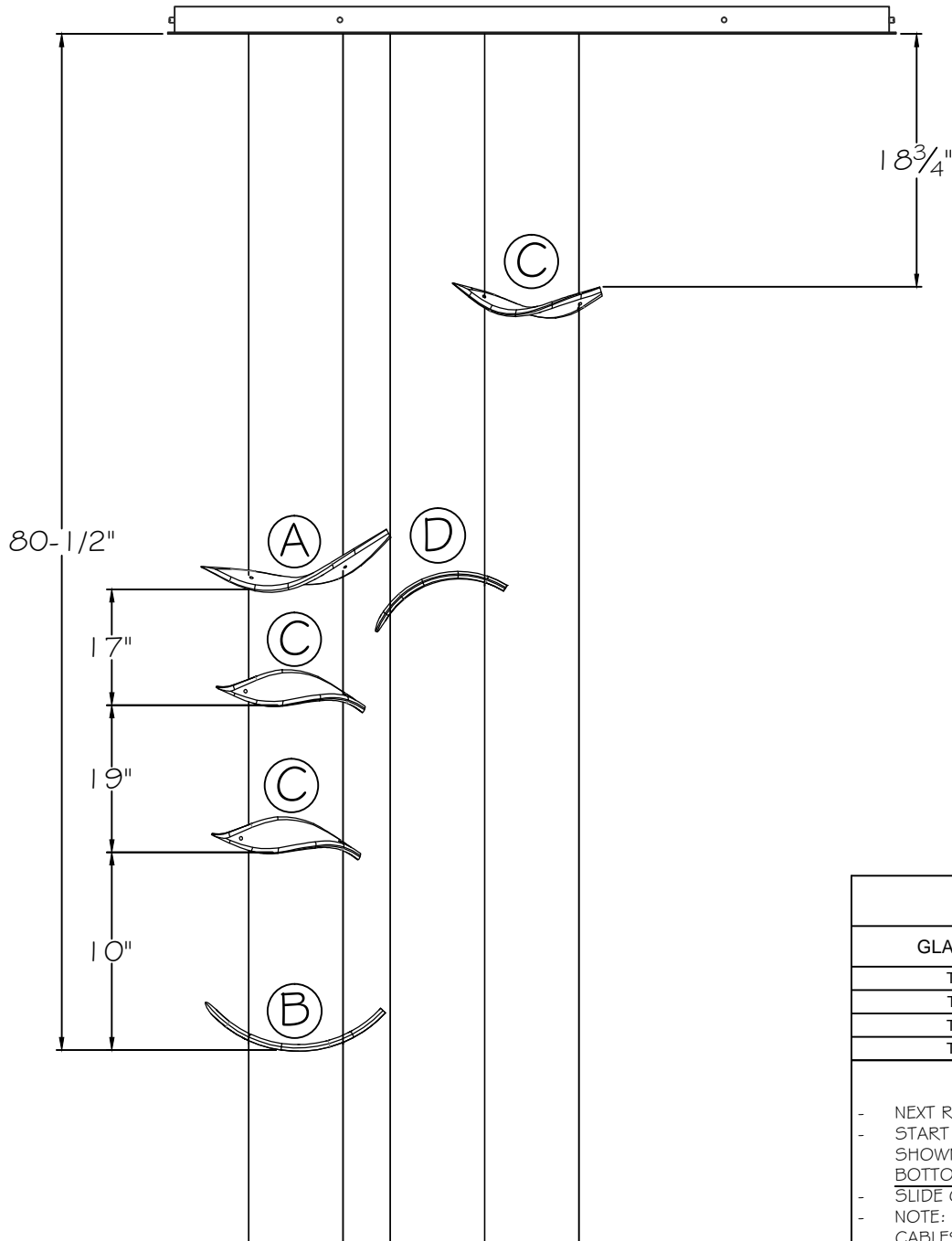
SHEET

1 / 6

GLASS INSTALLATION INSTRUCTION



BOTTOM VIEW OF CANOPY



FRONT VIEW OF LAYER 4 GLASSES

ROW 4

| GLASS TYPE | QUANTITY |
|------------|----------|
| TYPE A | 1 |
| TYPE B | 1 |
| TYPE C | 3 |
| TYPE D | 1 |

- NEXT ROW OF GLASSES TO BE INSTALLED IS ROW 4.
- START SLIDING GLASSES UP INTO POSITION AS SHOWN ON FRONT VIEW, STARTING FROM TOP TO BOTTOM
- SLIDE GRIPPER UP TO HOLD POSITION OF GLASS
- NOTE: MULTIPLE GLASSES MAY USE THE SAME CABLES

STYLE(S) #: 894840-111 -211 -121 -221

**FINE
ART
LAMPS®**
EST. 1940

This drawing, specifications and the product depicted are the exclusive property of FINE ART LAMPS®. In compliance with US copyright and patent requirements, notice is hereby given that this document and the product depicted shall not be copied, altered or used in any manner without the expressed written consent of FINE ART LAMPS®.

www.fineartlamps.com
Tel:(305) 821-3850 Fax:(305) 821-1564

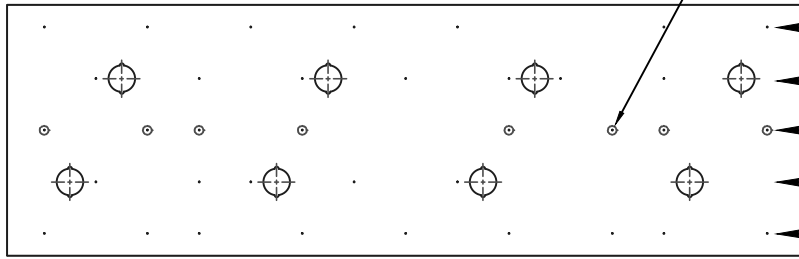
INSTRUCTION #:

00791404

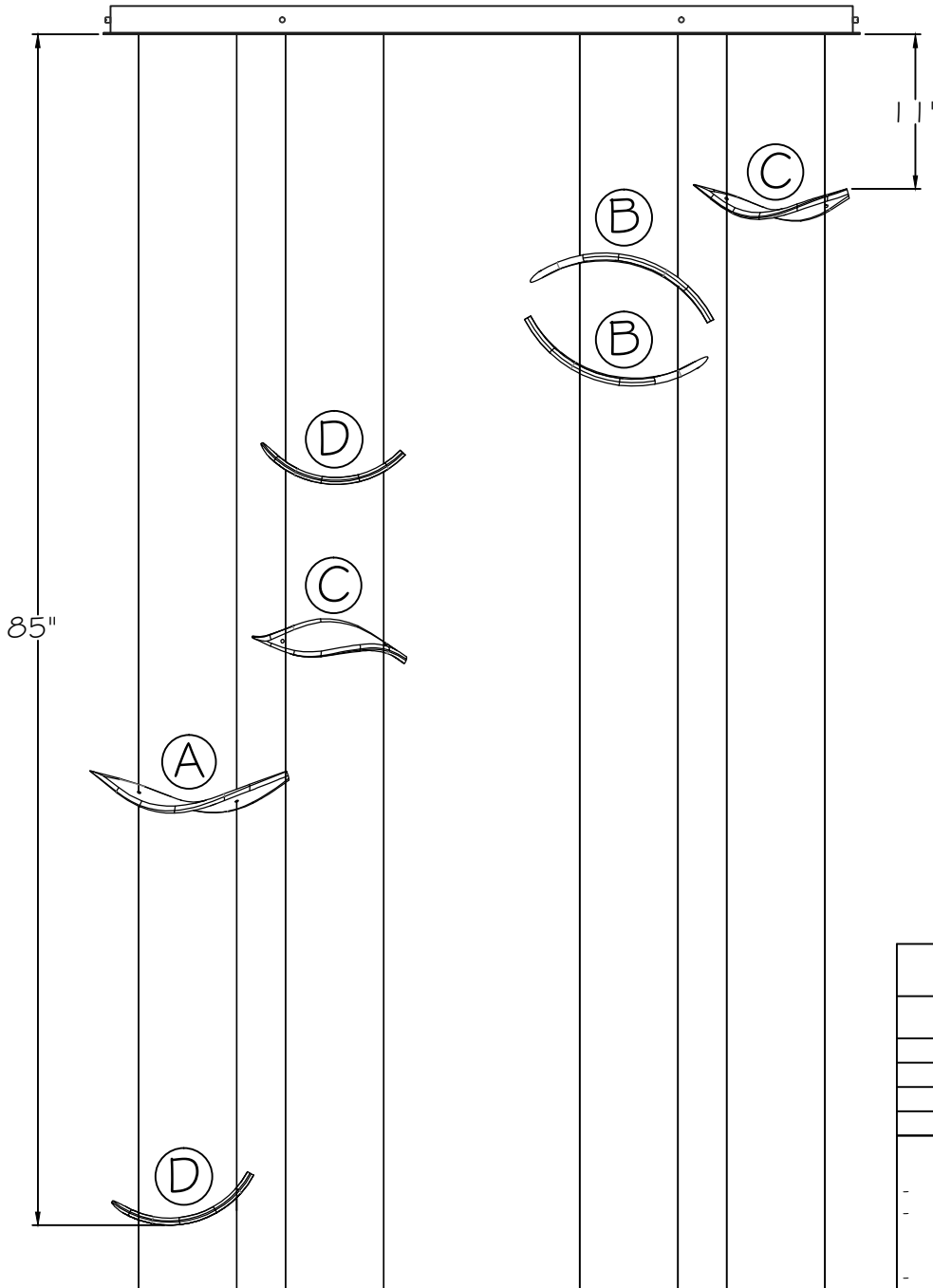
SHEET

2 / 6

GLASS INSTALLATION INSTRUCTION



BOTTOM VIEW OF CANOPY



FRONT VIEW OF LAYER 3 GLASSES

| ROW 3 | |
|------------|----------|
| GLASS TYPE | QUANTITY |
| TYPE A | 1 |
| TYPE B | 2 |
| TYPE C | 2 |
| TYPE D | 2 |

- NEXT ROW OF GLASSES TO BE INSTALLED IS ROW 3.
- START SLIDING GLASSES UP INTO POSITION AS SHOWN ON FRONT VIEW, STARTING FROM TOP TO BOTTOM
- SLIDE GRIPPER UP TO HOLD POSITION OF GLASS
- NOTE: MULTIPLE GLASSES MAY USE THE SAME CABLES

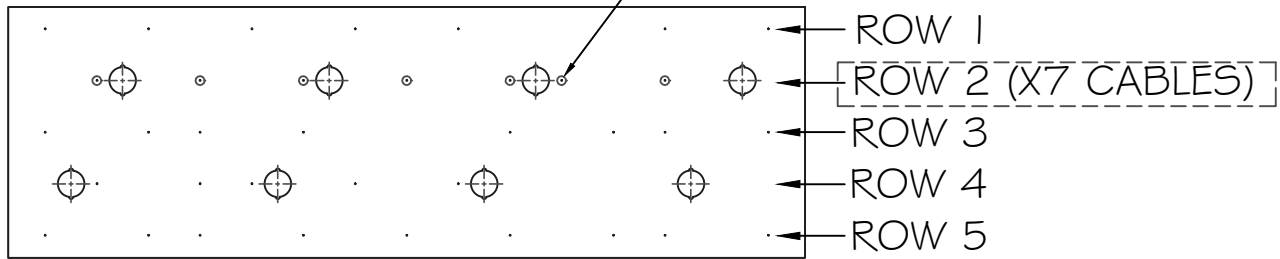
STYLE(S) #: 894840-111 -211 -121 -221



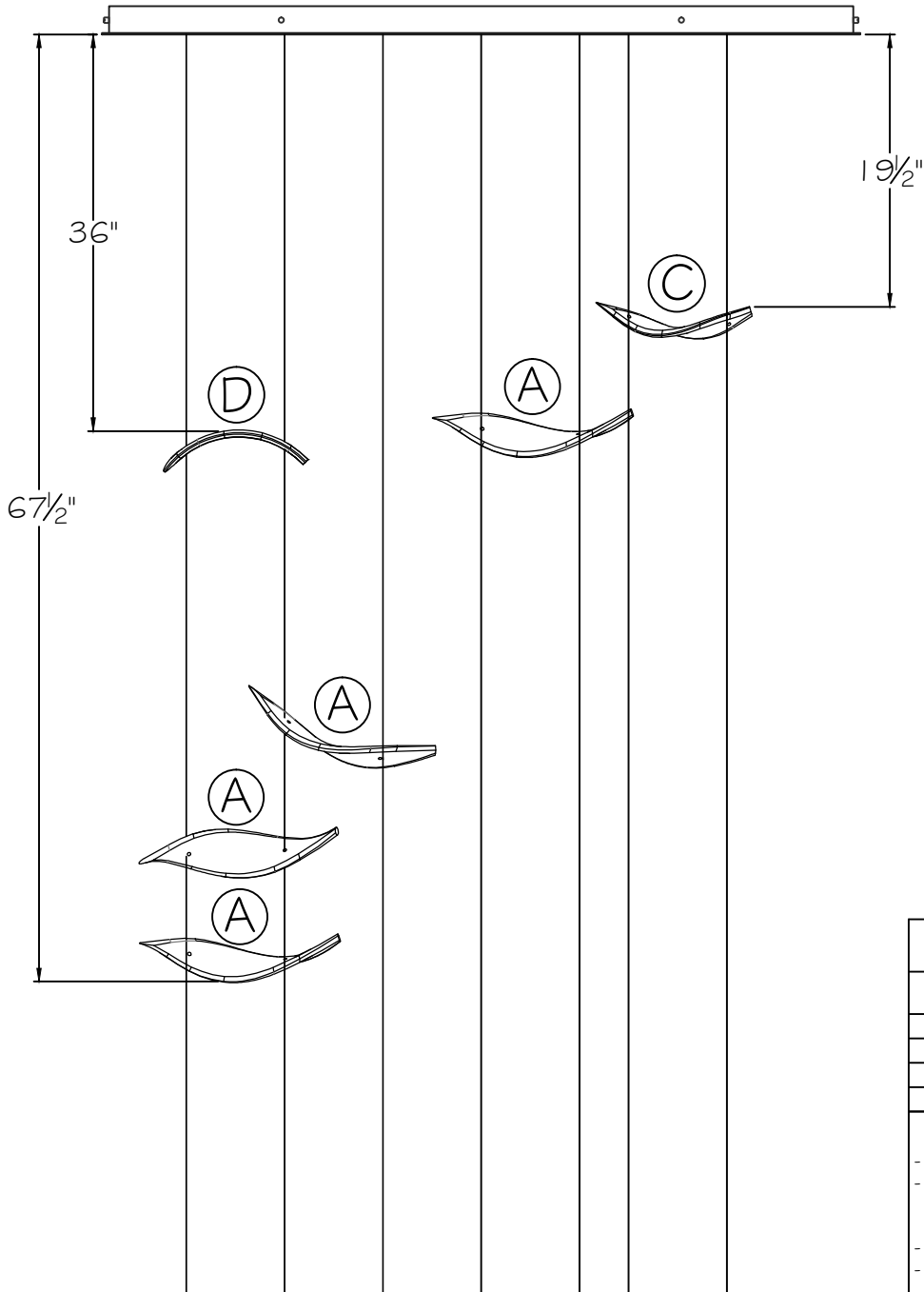
This drawing, specifications and the product depicted are the exclusive property of FINE ART LAMPS®. In compliance with US copyright and patent requirements, notice is hereby given that this document and the product depicted shall not be copied, altered or used in any manner without the expressed written consent of FINE ART LAMPS®.
www.fineartlamps.com
 Tel:(305) 821-3850 Fax:(305) 821-1564

INSTRUCTION #:
00791404
 SHEET
3 / 6

GLASS INSTALLATION INSTRUCTION



BOTTOM VIEW OF CANOPY



FRONT VIEW OF LAYER 2 GLASSES

| ROW 2 | |
|------------|----------|
| GLASS TYPE | QUANTITY |
| TYPE A | 4 |
| TYPE B | 0 |
| TYPE C | 1 |
| TYPE D | 1 |

- NEXT ROW OF GLASSES TO BE INSTALLED IS ROW 2.
- START SLIDING GLASSES UP INTO POSITION AS SHOWN ON FRONT VIEW, STARTING FROM TOP TO BOTTOM
- SLIDE GRIPPER UP TO HOLD POSITION OF GLASS
- NOTE: MULTIPLE GLASSES MAY USE THE SAME CABLES

STYLE(S) #: 894840-111 -211 -121 -221

**FINE
ART
LAMPS®**
EST. 1940

This drawing, specifications and the product depicted are the exclusive property of FINE ART LAMPS®. In compliance with US copyright and patent requirements, notice is hereby given that this document and the product depicted shall not be copied, altered or used in any manner without the expressed written consent of FINE ART LAMPS®.

www.fineartlamps.com
Tel:(305) 821-3850 Fax:(305) 821-1564

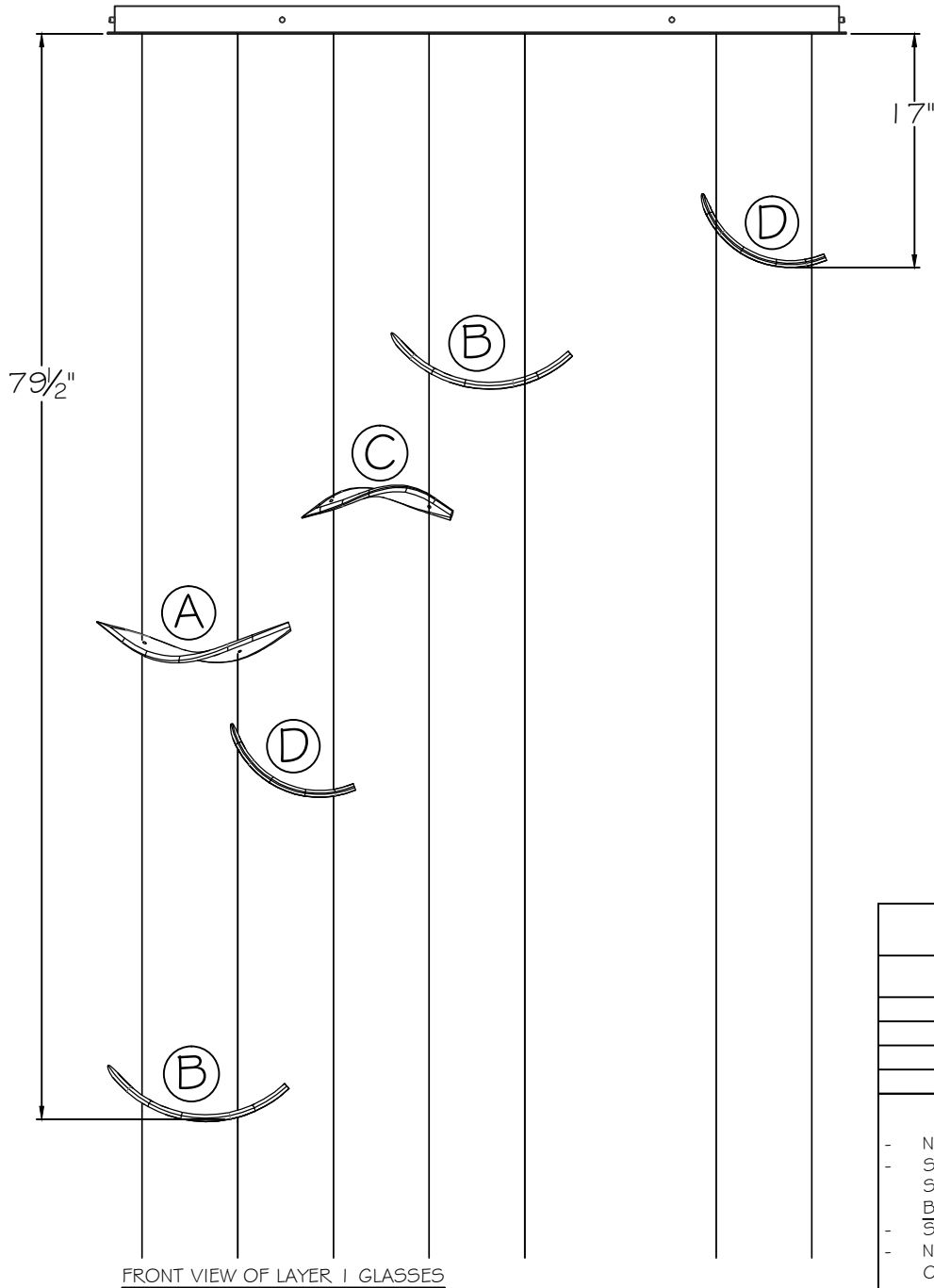
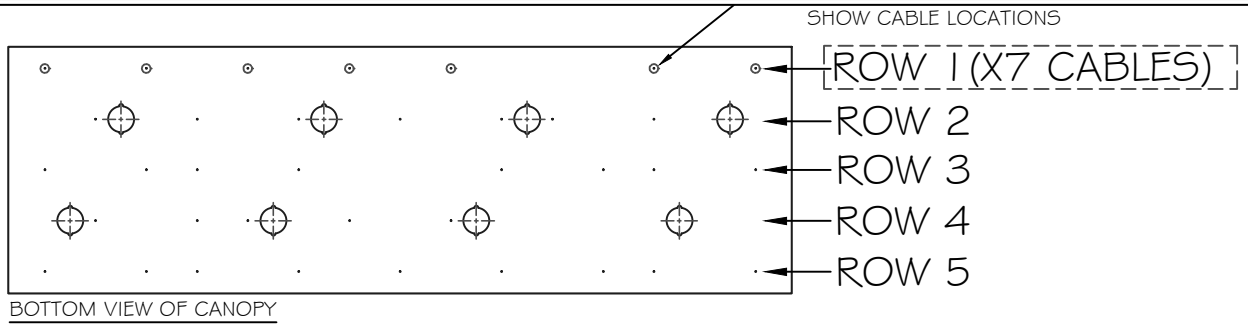
INSTRUCTION #:

00791404

SHEET

4 / 6

GLASS INSTALLATION INSTRUCTION



| ROW 1 | |
|------------|----------|
| GLASS TYPE | QUANTITY |
| TYPE A | 1 |
| TYPE B | 2 |
| TYPE C | 1 |
| TYPE D | 2 |

- NEXT ROW OF GLASSES TO BE INSTALLED IS ROW 1.
- START SLIDING GLASSES UP INTO POSITION AS SHOWN ON FRONT VIEW, STARTING FROM TOP TO BOTTOM
- SLIDE GRIPPER UP TO HOLD POSITION OF GLASS
- NOTE: MULTIPLE GLASSES MAY USE THE SAME CABLES

STYLE(S) #: 894840-111 -211 -121 -221

**FINE
ART
LAMPS®**
EST. 1940

This drawing, specifications and the product depicted are the exclusive property of FINE ART LAMPS®. In compliance with US copyright and patent requirements, notice is hereby given that this document and the product depicted shall not be copied, altered or used in any manner without the expressed written consent of FINE ART LAMPS®.

www.fineartlamps.com
Tel:(305) 821-3850 Fax:(305) 821-1564

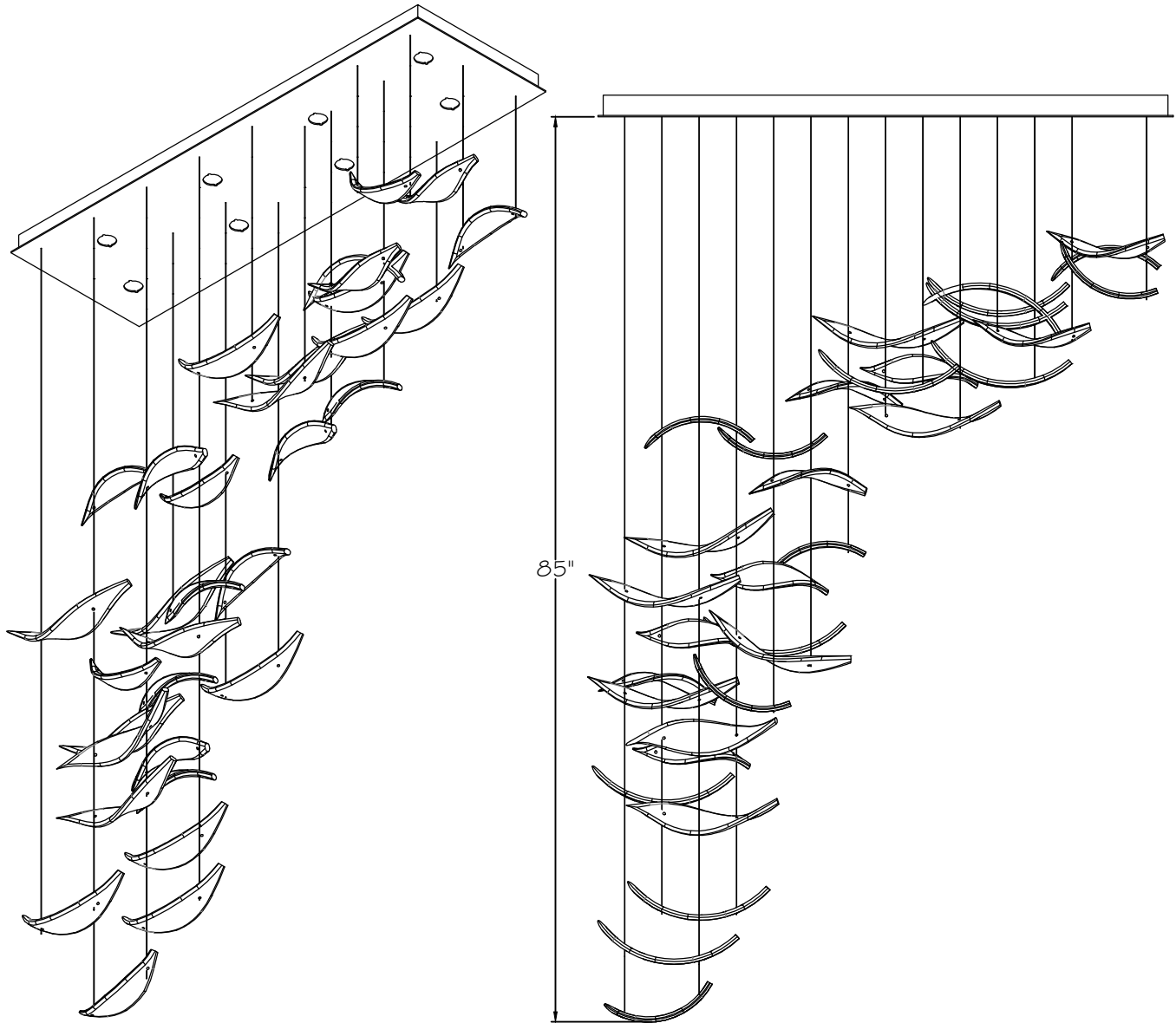
INSTRUCTION #:

00791404

SHEET

5 / 6

GLASS INSTALLATION INSTRUCTION



- ONCE ALL GLASSES ARE INSTALLED AND FINAL GLASS POSITION IS ACHIEVED, ENSURE TO CUT EXCESS CABLES UP TO HARDWARE OF LOWEST GLASSES. REFERENCE INSTALLATION INSTRUCTION.

STYLE(S) #: 894840-111 -211 -121 -221

**FINE
ART
LAMPS®**
EST. 1940

This drawing, specifications and the product depicted are the exclusive property of FINE ART LAMPS®. In compliance with US copyright and patent requirements, notice is hereby given that this document and the product depicted shall not be copied, altered or used in any manner without the expressed written consent of FINE ART LAMPS®.

www.fineartlamps.com
Tel:(305) 821-3850 Fax:(305) 821-1564

INSTRUCTION #:

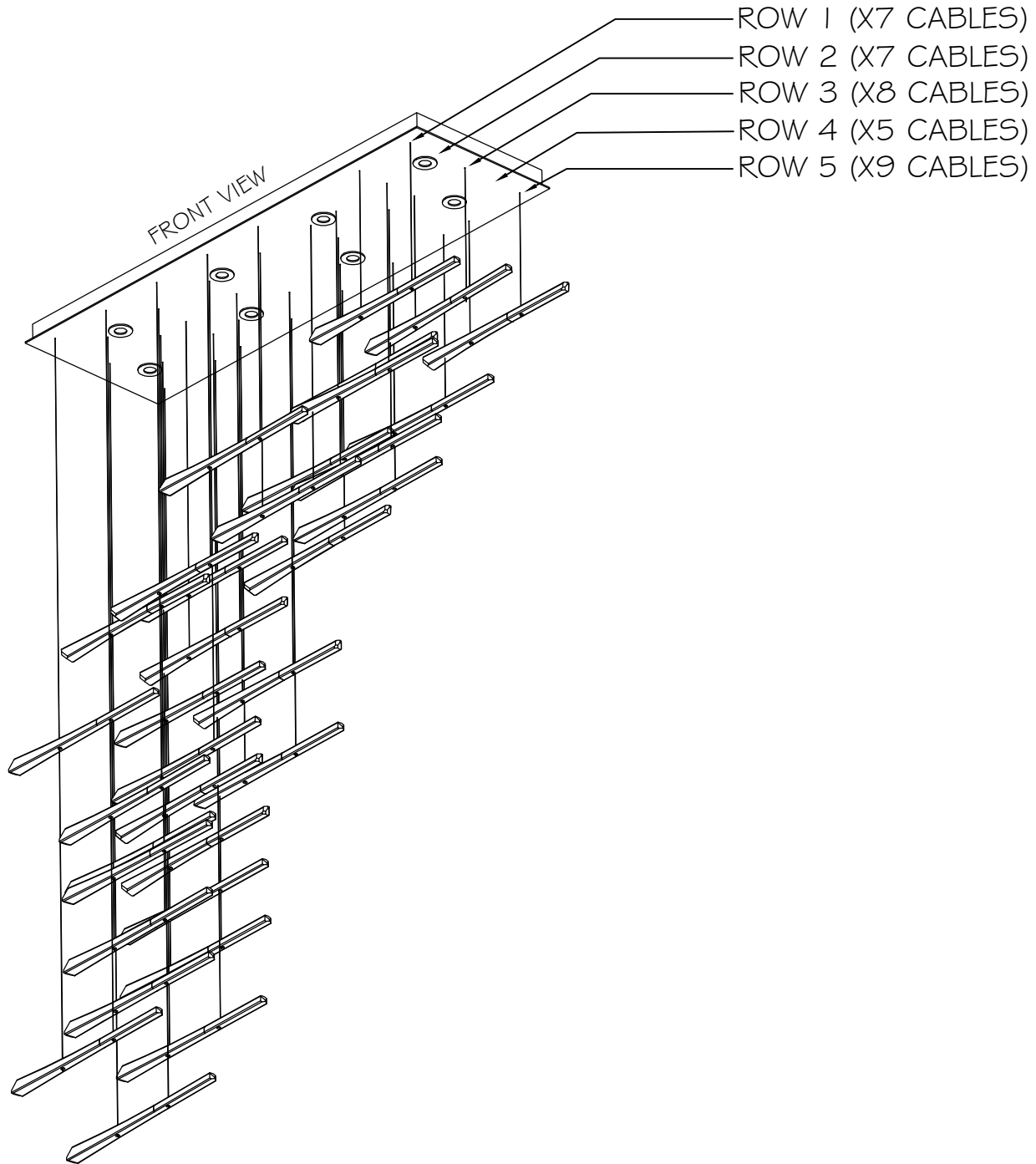
00791404

SHEET

6 / 6

INSTRUCTION

NOTE: ORIENTATION OF CANOPY IS CRITICAL TO GLASS DROP DESIGN



STYLE(S) #: 894840-131 -231 -141 -241

**FINE
ART
LAMPS®**
EST. 1940

This drawing, specifications and the product depicted are the exclusive property of FINE ART LAMPS®. In compliance with US copyright and patent requirements, notice is hereby given that this document and the product depicted shall not be copied, altered or used in any manner without the expressed written consent of FINE ART LAMPS®.

www.fineartlamps.com

Tel:(305) 821-3850 Fax:(305) 821-1564

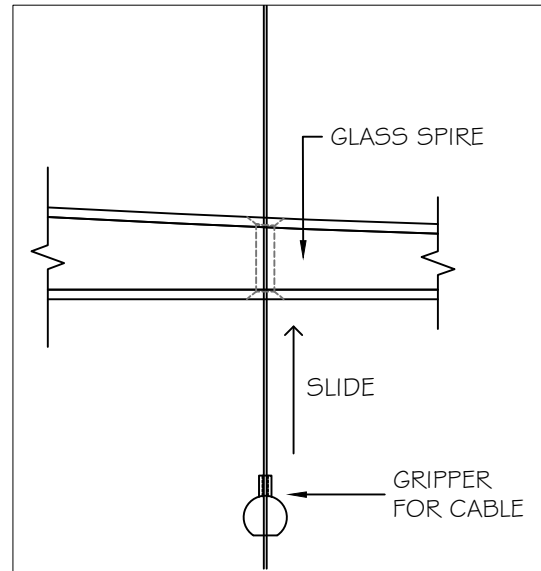
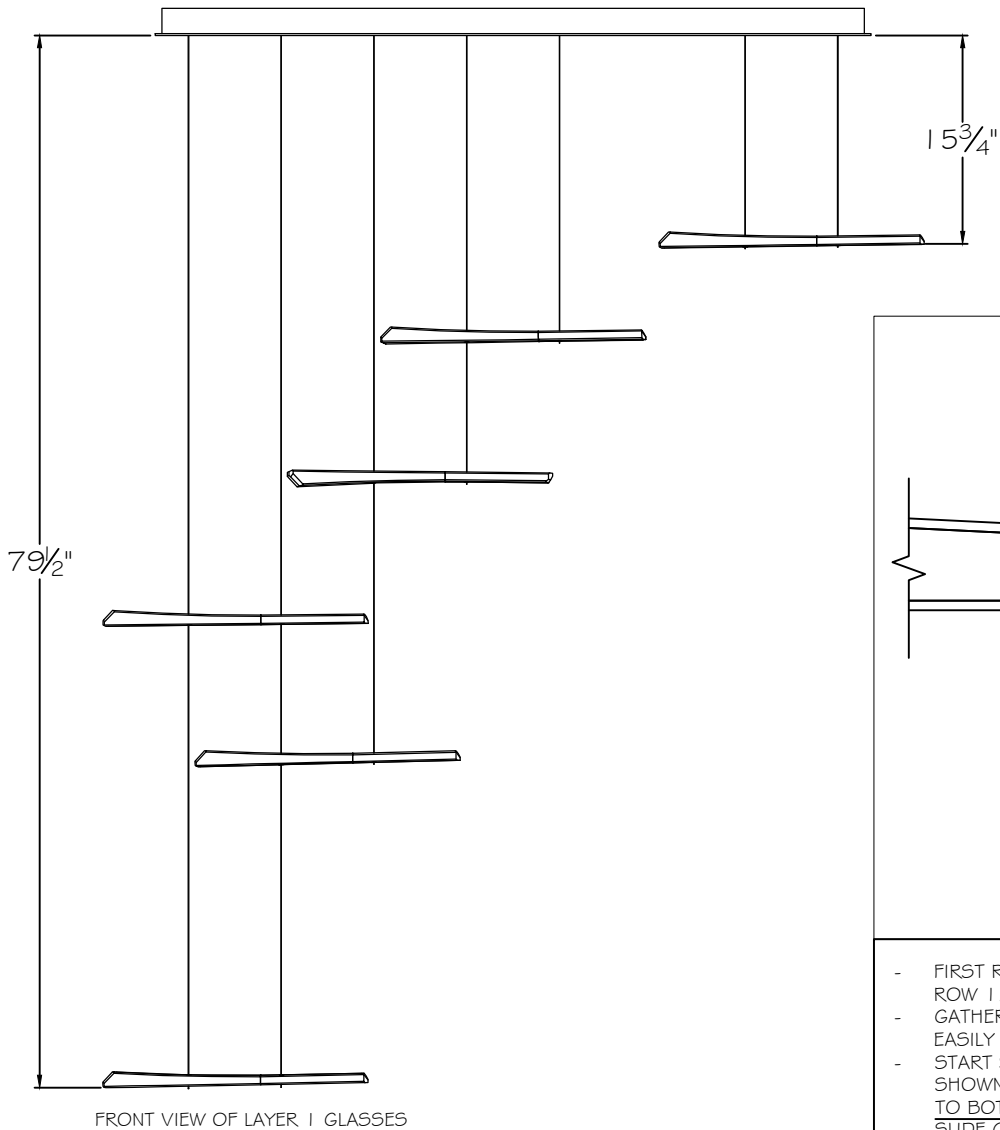
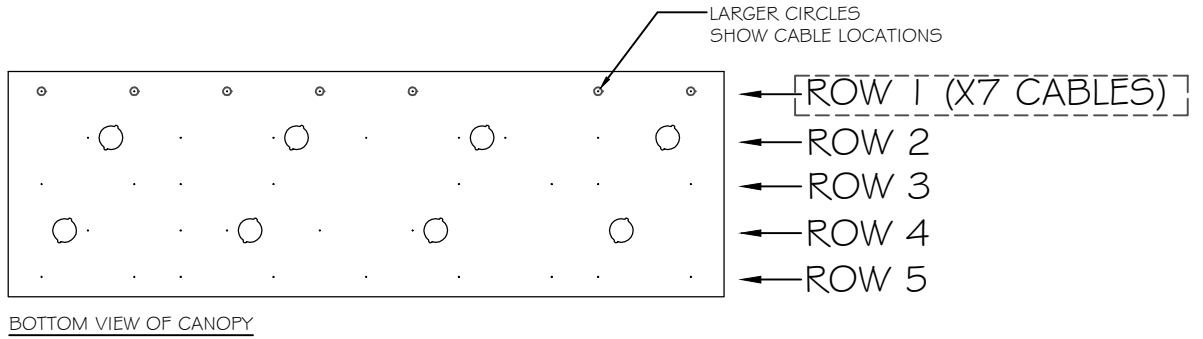
INSTRUCTION #:

00791408

SHEET

1 / 7

GLASS INSTALLATION INSTRUCTION



- FIRST ROW OF GLASSES TO BE INSTALLED IS ROW 1.
- GATHER ALL OTHER CABLES TO THE SIDE TO EASILY ACCESS LAYER TO BE WORKED ON
- START SLIDING GLASSES UP INTO POSITION AS SHOWN ON FRONT VIEW, STARTING FROM TOP TO BOTTOM
- SLIDE GRIPPER UP TO HOLD POSITION OF GLASS
- NOTE: MULTIPLE GLASSES MAY USE THE SAME CABLES

STYLE(S) #: 894840-131 -231 -141 -241

**FINE
ART
LAMPS®**
EST. 1940

This drawing, specifications and the product depicted are the exclusive property of FINE ART LAMPS®. In compliance with US copyright and patent requirements, notice is hereby given that this document and the product depicted shall not be copied, altered or used in any manner without the expressed written consent of FINE ART LAMPS®.
www.fineartlamps.com

Tel:(305) 821-3850 Fax:(305) 821-1564

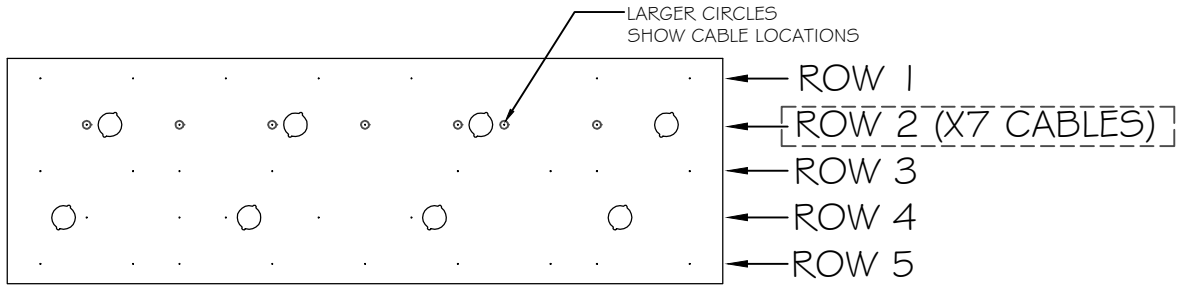
INSTRUCTION #:

00791408

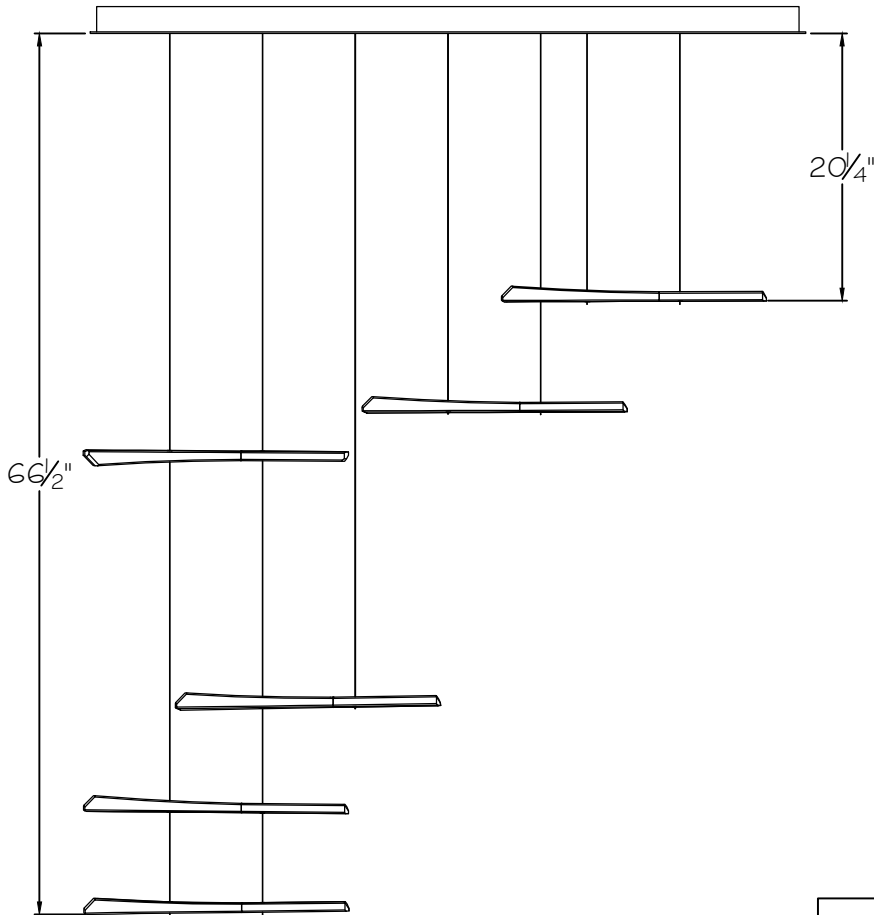
SHEET

2 / 7

GLASS INSTALLATION INSTRUCTION



BOTTOM VIEW OF CANOPY



FRONT VIEW OF LAYER 2 GLASSES

- NEXT ROW OF GLASSES TO BE INSTALLED IS ROW 2.
- START SLIDING GLASSES UP INTO POSITION AS SHOWN ON FRONT VIEW, STARTING FROM TOP TO BOTTOM
- SLIDE GRIPPER UP TO HOLD POSITION OF GLASS
- NOTE: MULTIPLE GLASSES MAY USE THE SAME CABLES

STYLE(S) #: 894840-131 -231 -141 -241



This drawing, specifications and the product depicted are the exclusive property of FINE ART LAMPS®. In compliance with US copyright and patent requirements, notice is hereby given that this document and the product depicted shall not be copied, altered or used in any manner without the expressed written consent of FINE ART LAMPS®.
www.fineartlamps.com

Tel:(305) 821-3850 Fax:(305) 821-1564

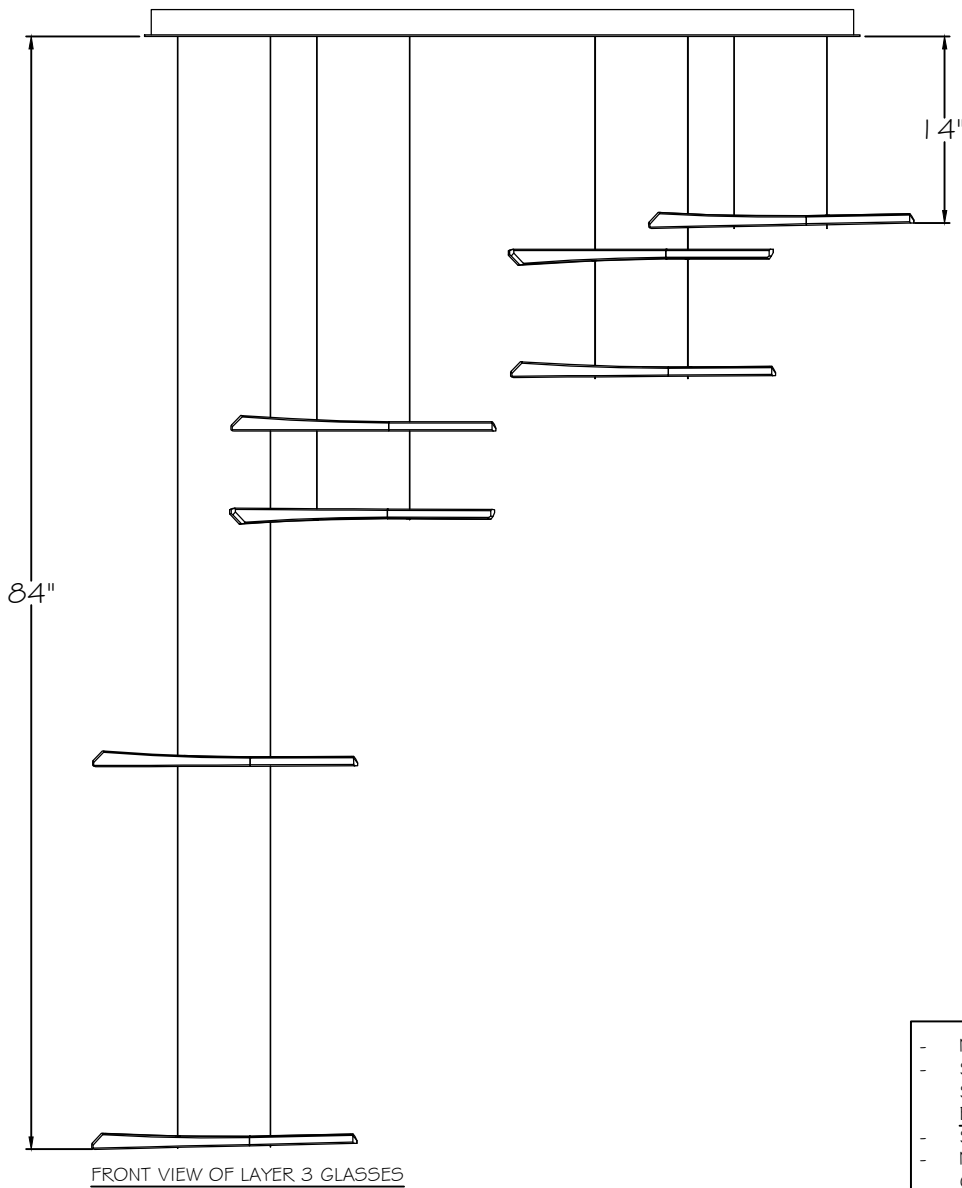
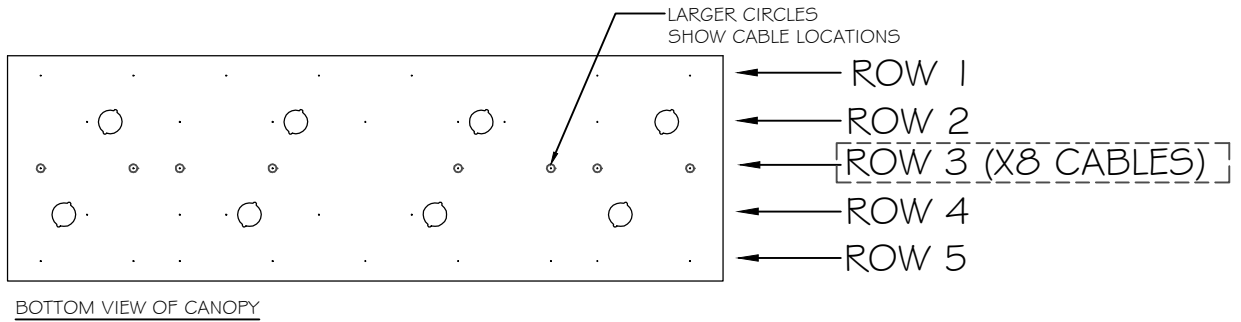
INSTRUCTION #:

00791408

SHEET

3 / 7

GLASS INSTALLATION INSTRUCTION



- NEXT ROW OF GLASSES TO BE INSTALLED IS ROW 3.
- START SLIDING GLASSES UP INTO POSITION AS SHOWN ON FRONT VIEW, STARTING FROM TOP TO BOTTOM
- SLIDE GRIPPER UP TO HOLD POSITION OF GLASS
- NOTE: MULTIPLE GLASSES MAY USE THE SAME CABLES

STYLE(S) #: 894840-131 -231 -141 -241

**FINE
ART
LAMPS®**
EST. 1940

This drawing, specifications and the product depicted are the exclusive property of FINE ART LAMPS®. In compliance with US copyright and patent requirements, notice is hereby given that this document and the product depicted shall not be copied, altered or used in any manner without the expressed written consent of FINE ART LAMPS®.

www.fineartlamps.com

Tel:(305) 821-3850 Fax:(305) 821-1564

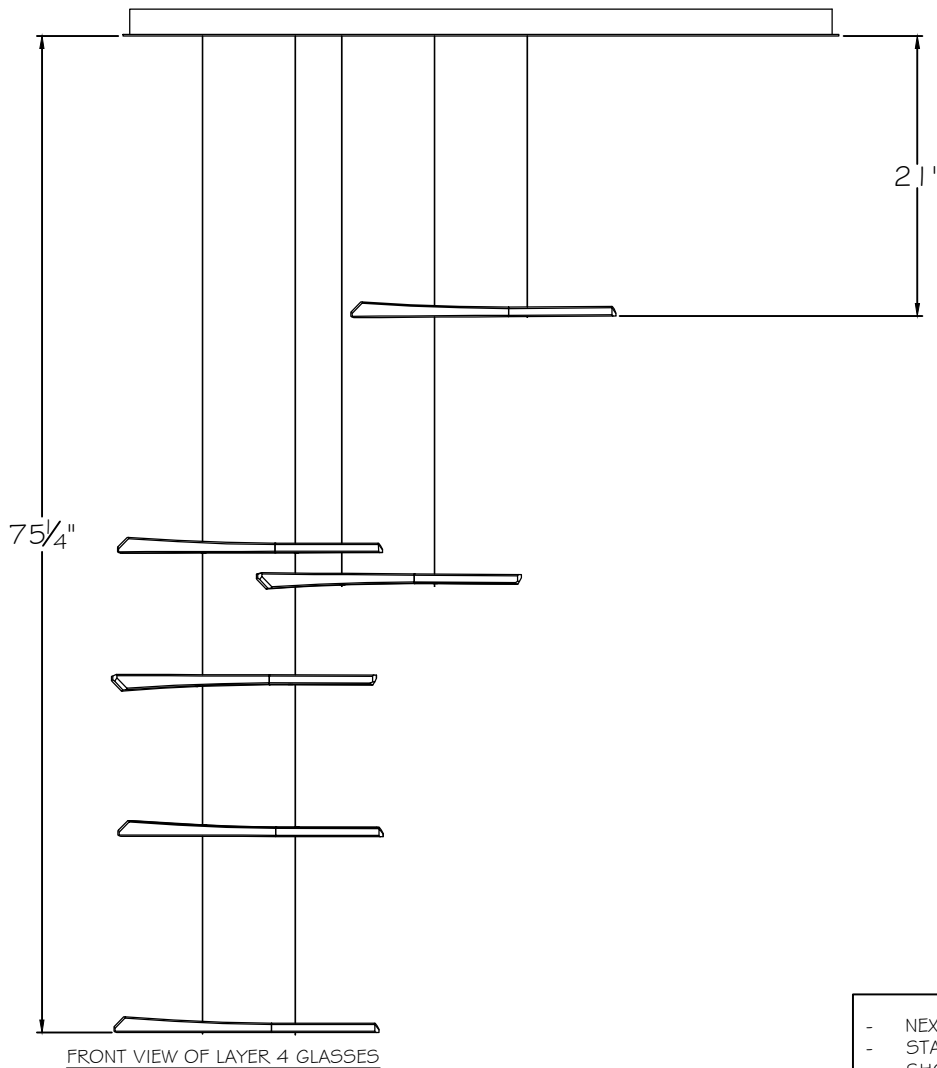
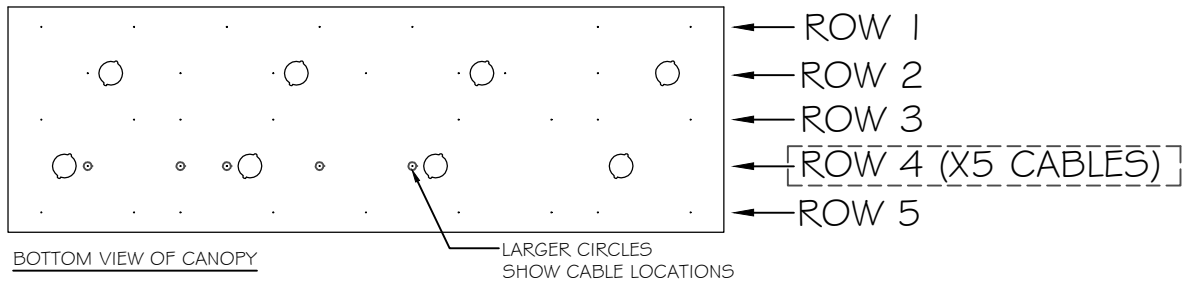
INSTRUCTION #:

00791408

SHEET

4 / 7

GLASS INSTALLATION INSTRUCTION



- NEXT ROW OF GLASSES TO BE INSTALLED IS ROW 4.
- START SLIDING GLASSES UP INTO POSITION AS SHOWN ON FRONT VIEW, STARTING FROM TOP TO BOTTOM
- SLIDE GRIPPER UP TO HOLD POSITION OF GLASS
- NOTE: MULTIPLE GLASSES MAY USE THE SAME CABLES

STYLE(S) #: 894840-131 -231 -141 -241



This drawing, specifications and the product depicted are the exclusive property of FINE ART LAMPS®. In compliance with US copyright and patent requirements, notice is hereby given that this document and the product depicted shall not be copied, altered or used in any manner without the expressed written consent of FINE ART LAMPS®.

www.fineartlamps.com

Tel:(305) 821-3850 Fax:(305) 821-1564

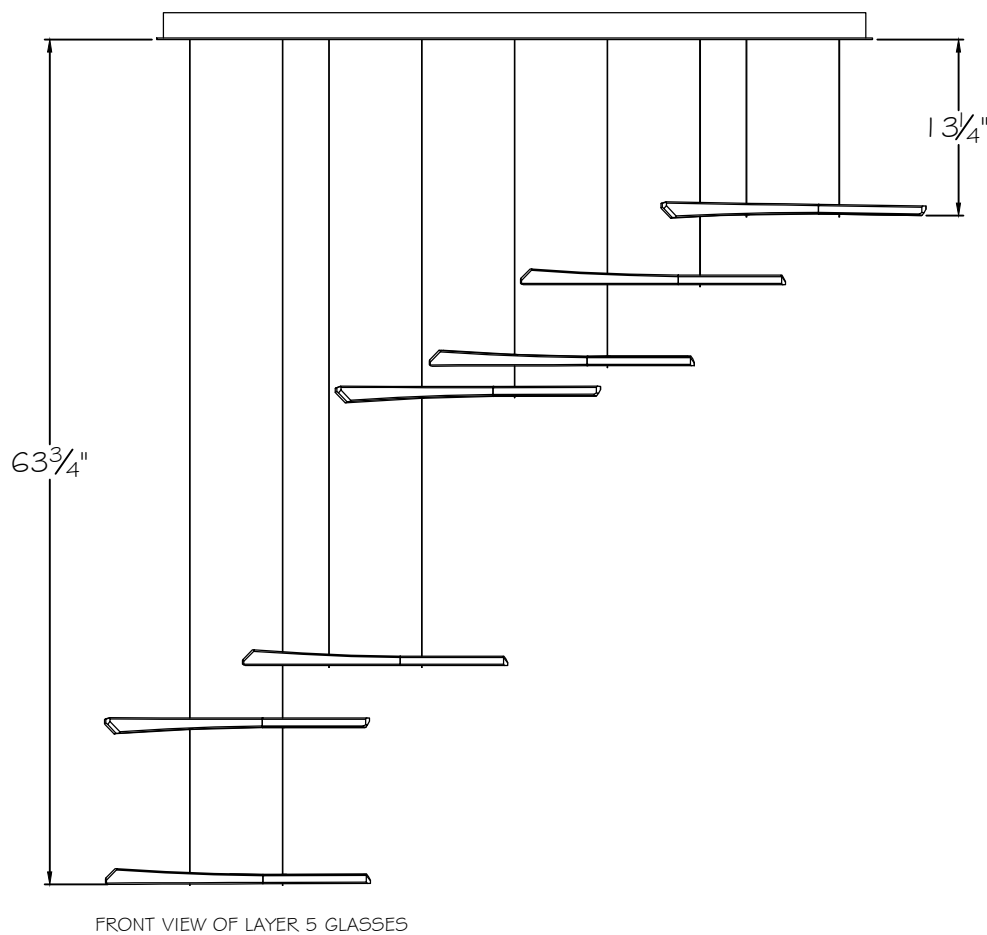
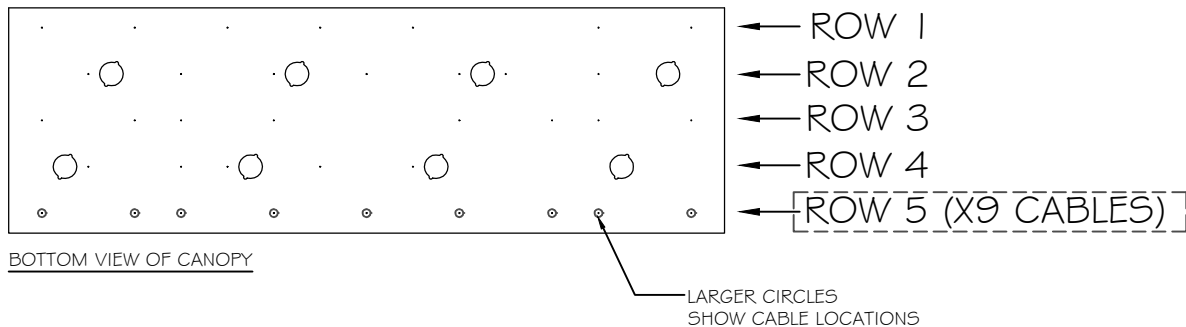
INSTRUCTION #:

00791408

SHEET

5 / 7

GLASS INSTALLATION INSTRUCTION



- NEXT ROW OF GLASSES TO BE INSTALLED IS ROW 5.
- START SLIDING GLASSES UP INTO POSITION AS SHOWN ON FRONT VIEW, STARTING FROM TOP TO BOTTOM
- SLIDE GRIPPER UP TO HOLD POSITION OF GLASS
- NOTE: MULTIPLE GLASSES MAY USE THE SAME CABLES

STYLE(S) #: 894840-131 -231 -141 -241

**FINE
 ART
 LAMPS®**
 EST. 1940

This drawing, specifications and the product depicted are the exclusive property of FINE ART LAMPS®. In compliance with US copyright and patent requirements, notice is hereby given that this document and the product depicted shall not be copied, altered or used in any manner without the expressed written consent of FINE ART LAMPS®.

www.fineartlamps.com

Tel:(305) 821-3850 Fax:(305) 821-1564

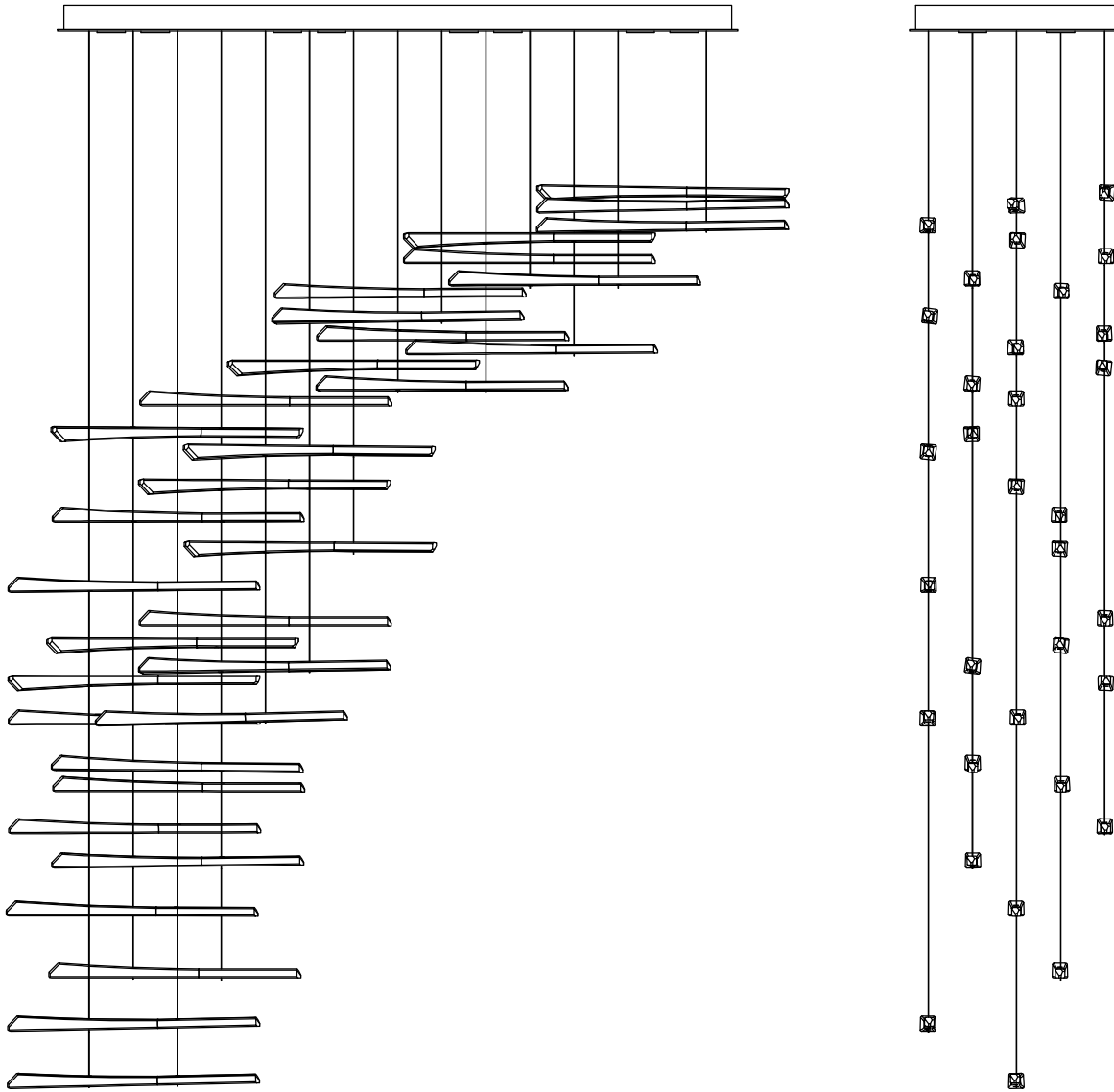
INSTRUCTION #:

00791408

SHEET

6 / 7

GLASS INSTALLATION INSTRUCTION



ONCE ALL GLASSES ARE INSTALLED AND FINAL GLASS POSITION IS ACHIEVED, ENSURE TO CUT EXCESS CABLES UP TO HARDWARE OF LOWEST GLASSES. REFERENCE INSTALLATION INSTRUCTION.

STYLE(S) #: 894840-131 -231 -141 -241

**FINE
ART
LAMPS®**
EST. 1940

This drawing, specifications and the product depicted are the exclusive property of FINE ART LAMPS®. In compliance with US copyright and patent requirements, notice is hereby given that this document and the product depicted shall not be copied, altered or used in any manner without the expressed written consent of FINE ART LAMPS®.
www.fineartlamps.com

Tel:(305) 821-3850 Fax:(305) 821-1564

INSTRUCTION #:

00791408

SHEET

7 / 7