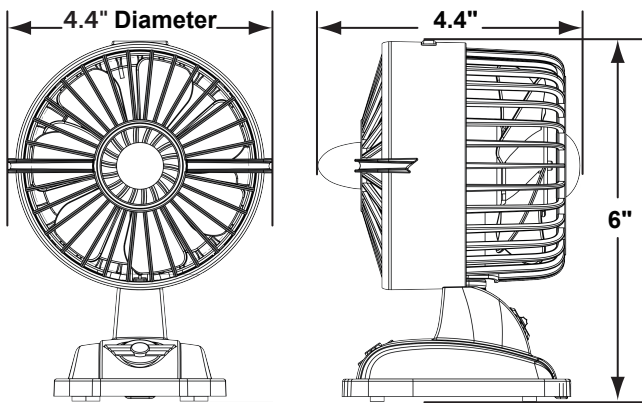


**URBANJET JR™**

**FP7988MB  
Portable USB Fan**



**Net Weight: 0.47 lbs**

**Available Finishes**

MB	Mysterious Black with black blades
----	------------------------------------

**ELECTRICAL REQUIREMENTS:**

Requires a grounded electrical supply line of 120 volt, and USB power cord into a PC or laptop USB connector.

**MOTOR SPECS:**

DC motor is designed for optimal performance with this fan.

**CONTROL / SPEED:**

Slide switch to turn the fan ON/OFF and 2 speed.

**FEATURES:**

- Twin-blade design
- USB cord included
- Ships fully assembled

**LOCATION USE:**

Fan is rated for dry locations only.