

PRODUCT FEATURES

- Mixed materials and contrasting design elements combine for a warm contemporary wall sconce light
- Complementary Gambit chandelier lights also available from Tech Lighting
- Two sizes available, 1-lite and 3-lite, perfect for dining room lighting applications
- Fully dimmable LED lamping options to create the desired ambiance
- Ships with choice of LED lamps included saving you time and money
- Protected by a 1-year warranty, please visit www.techlighting.com for details

LAMPING

No Lamp rated for (1) 5 watt max. E12 candelabra base lamp. LED includes (1) 2 watt, 152.3 delivered lumen, 90 CRI 2700K, LED E12 candelabra base lamp. No lamp version mounts up only. LED mounts up or down.



Satin Nickel



Aged Brass

Satin Nickel

ORDERING INFORMATION

700WSGMB SHAPE OR SIZE	COLOR	FINISH	LAMP
S SINGLE	C CLEAR	R AGED BRASS S SATIN NICKEL	NO LAMP -LED927 LED T6 90 CRI 2700K 120V (T20/T24)

700WSGMB _____

JOB NAME _____

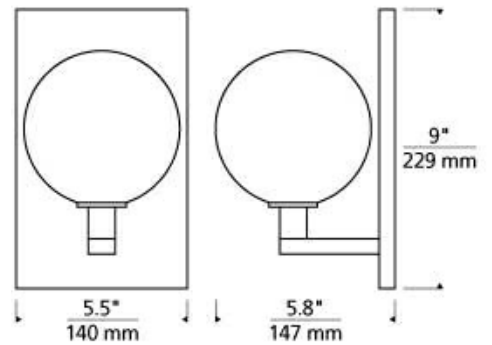
NOTES _____



GAMBIT SINGLE WALL

SPECIFICATIONS

HARDWARE MATERIAL	Metal
SHADE MATERIAL	Glass
NET WEIGHT	4 lbs
HEIGHT	9in
WIDTH	5.8in
LENGTH	5.5in
MIN. EXTENSION FROM WALL	5.8in
UP LIGHT / DOWN LIGHT / BOTH?	
WET LISTED	
DAMP LISTED	
DRY LISTED	
UP / DOWN	
HORIZONTAL / VERTICAL	
WALL / CEILING MOUNT	
GENERAL LISTING	ETL Listed
ADA COMPLIANT	
INCLUDES	



LAMPING SPECIFICATIONS

	LED LAMP	INTEGRATED LED	NON LED	NO LAMP
DELIVERED LUMENS	152.3			
WATTS	2			
MAX WATTAGE PER BULB	5W			5W
INPUT VOLTAGE	120V			120V
DIMMING TYPE*	ELV, TRIAC			ELV, TRIAC
CCT	2700K			
CRI	90 CRI			
LED LIFETIME				
L70	25000			
AVERAGE BULB HOURS				
FIELD SERVICEABLE LED				
LAMP BASE	E12 Candelabra Base			E12 Candelabra Base
LAMP SHAPE	T6			T6
LAMP INCLUDED?	Y			N
WARRANTY**	1 Year			1 Year

*Dimming information available at www.techlighting.com/Downloads#dimming

** Visit techlighting.com for specific warranty limitations and details.

T20 / T24 INFORMATION

	Integrated LED	Replacement LED Lamp	No Lamp *
This product can be used to comply with California Building Energy Efficiency Standards 2016 Title 24 Part 6.		Yes	N/A
This product can be used to comply with California Appliance Efficiency Standards 2016 Title 20 and may be shipped to and sold in California.		Yes	N/A

* If a light fixture or component does not include a lamp or light source, it is the responsibility of the customer to select a lamp that meets the T24 and T20 requirements.

