

ASSEMBLY AND INSTALLATION INSTRUCTIONS

(Rail System and Track Light Sold Separately)

X-AD04 / C0010

WARNING: BE SURE TO SHUT OFF POWER AT THE MAIN FUSE OR CIRCUIT BREAKER BOX BEFORE INSTALLING OR SERVICING THIS FIXTURE.

NOTE: 1. Before installing, consult local electrical codes for wiring and grounding requirements. 2. Please read this instruction carefully before installing this fixture. If you are not familiar with installations, please consult a qualified electrician.

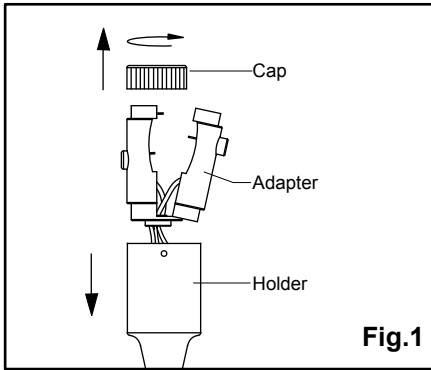


Fig.1

Unscrew the cap and the holder from the adapter. Then separate the adapter to two halves.

Caution: Be careful not to snap the wires when separate the adapter, this will cause the wires to disconnect.

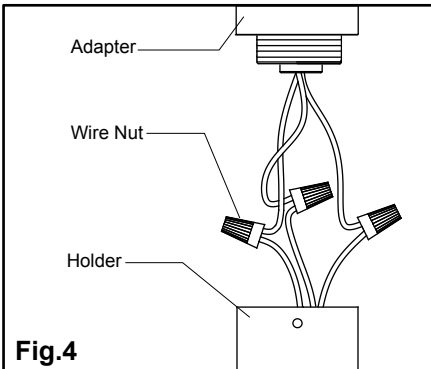


Fig.4

Make wire connections using the wire nuts:
 ---The clear wire with black line and marked "L" (or black wire) from the track light to the black wire from the adapter.
 ---The clear wire marked "N" (or white wire) from the track light to the white wire from the adapter.
 ---The clear wire with green line and marked "GND" (or green grounding wire) from the track light to the green grounding wire from the adapter.

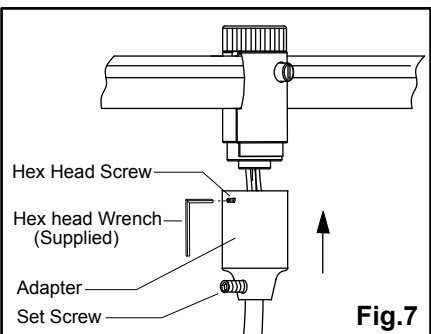


Fig.7

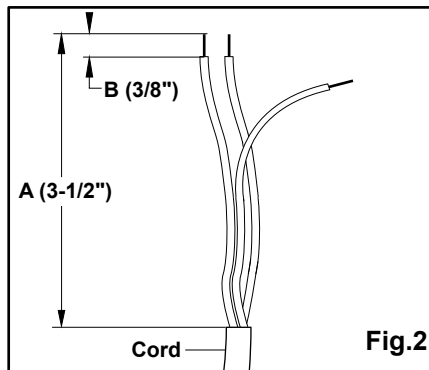


Fig.2

Take out a track light which you want to install onto the flexible track. Mark the 3-1/2" of cord (A) from the top of the cord. Use a knife to peel off the insulation of the cord (A) carefully to expose the 3 wires on the inside. Peel off the 3 wires from the top about 3/8" long (B) to expose the copper for wiring.

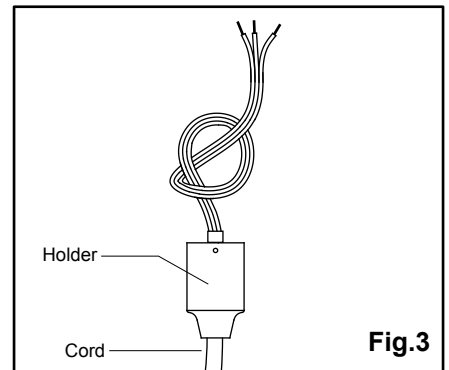


Fig.3

Thread the cord through the holder and then make a knot.

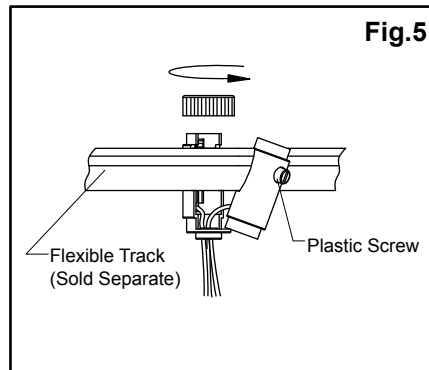


Fig.5

Attach the adapter onto the flexible track. (See Fig.5) The brass clips of the adapter must be connected with the brass tabs and ground tab of the track. (See Fig.6) **(CAUTION: To ensure the light works correctly, make sure the connection of the adapter and the flexible track is correct.)** Attach both halves of the adapter together and then screw the caps and plastic screws on tightly.

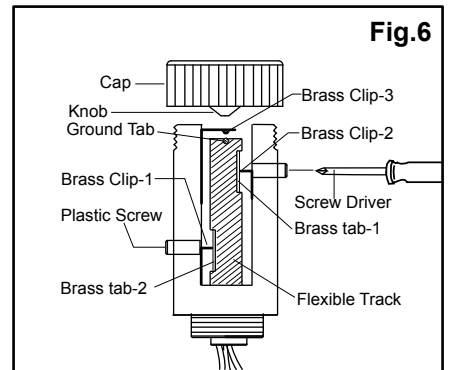


Fig.6

Caution: The adapter should be installed near the rail support. Never install it at two end of the flexible track.

After the splices have been made, carefully tuck the wires into the holder. Then secure the holder onto the adapter. Fasten the hex head screws and the set screw in position.

