

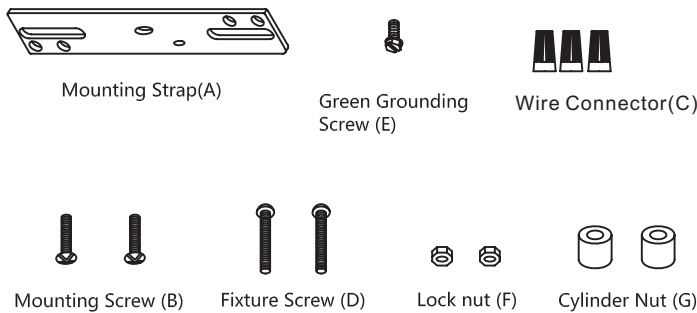
ASSEMBLY AND INSTALLATION INSTRUCTIONS

C0162

WARNING: TO AVOID RISK OF ELECTRICAL SHOCK, BE SURE TO SHUT OFF POWER BEFORE INSTALLING OR SERVICING THIS FIXTURE.

NOTES: 1. Before installing, consult local electrical codes for wiring and grounding requirements.
2. READ AND SAVE THESE INSTRUCTIONS.

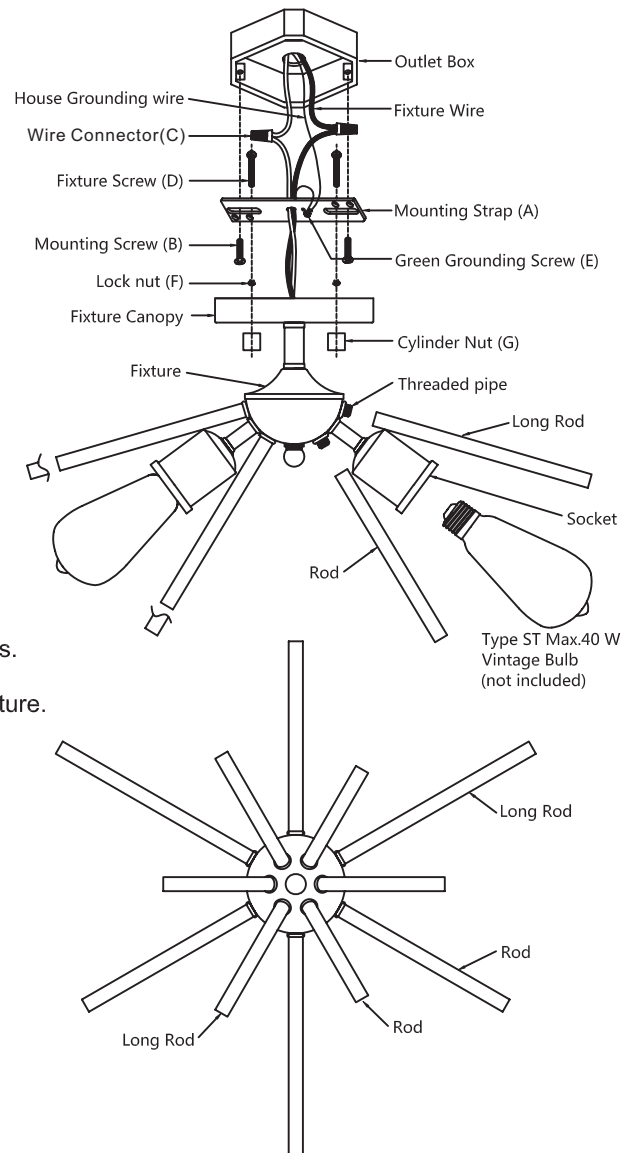
Hardware Package (included):



Installation Steps

Turn off the power at fuse or circuit box

1. Attach two fixture mounting screws to the mounting strap, and then secure it with two lock nuts. Adjust the length of the fixture mounting screws if necessary.
2. Attach the mounting strap to the outlet box using two mounting screws.
3. Screw 11" long rods and 8 1/2" rods to the other threaded pipes of fixture.
4. Pull out the source wires from the outlet box. Make wire connections using Wire Connectors as follows:
 - Connect the smooth-coated wire (marked) from the fixture to the black wire from the power source.
 - Connect the ribbed-coated wire (unmarked) from the fixture to the white wire from the power source.
 - Attach the fixture grounding wire to the mounting strap with the green grounding screw, and then connect it to the house grounding wire with a Wire Connector. Carefully put the wires back into the outlet box.
5. Attach the fixture canopy to the mounting strap by inserting the fixture mounting screws, and then secure it with two cylinder nuts.
6. Install the bulb (not included).
Check relamping label at socket area or packaging for maximum allowed wattage.
7. Angled mounting recommended for a vaulted or angled ceiling.



Turn on the power at fuse or circuit box

The following parts are available for re-order if damaged or missing.

Spare Parts List:

Mounting Strap(A)

Green Grounding Screw (E)

Wire Connector(C)

Mounting Screw (B)

Fixture Screw (D)

Lock nut (F)

Cylinder Nut (G)

Rod 8-1/2"

Long Rod 11"

← 5752MM

